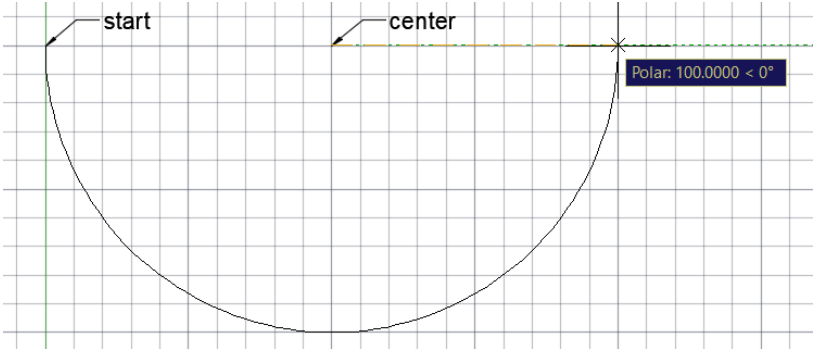


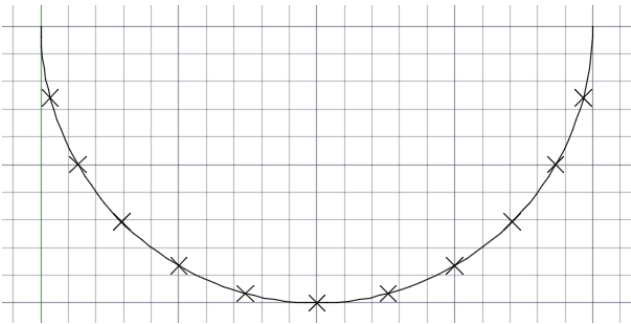
Drinks glass. Tips:

- 1. Draw a bowl - use **arc** with radius of 100.

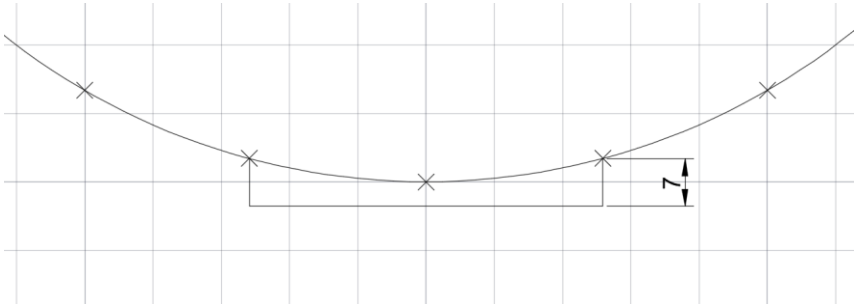
For drawing arc with a specific radius use, e.g., **arc** with option **start, center, end**. Determine start and end points of an arc in a counter clock-wise direction.



Divide the arc into 12 equal parts (use **divide**, choose proper **point style**).

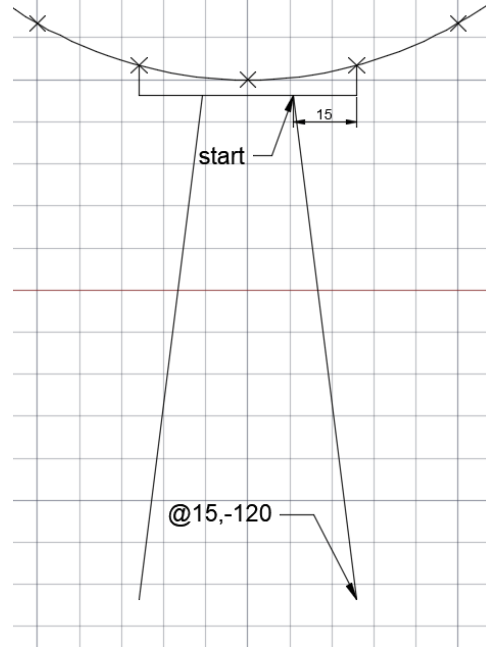
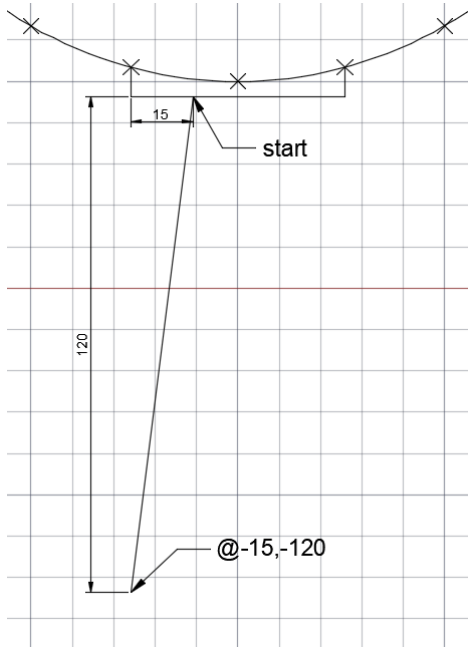


- 2. Draw a capital of a glass stem (of height equal 7). Draw it between two points closest to the midpoint of the arc (see below).

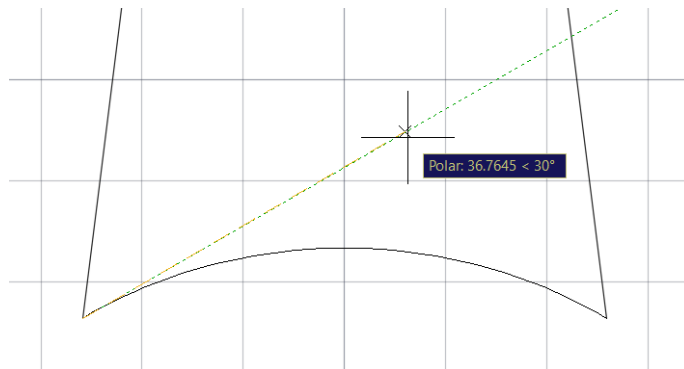


3. Draw a stem.

Start at 15 from the corner of the capital. Use relative coordinates. The width of the base of the stem is equal to the width of the capital.

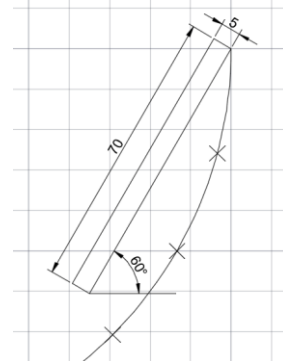
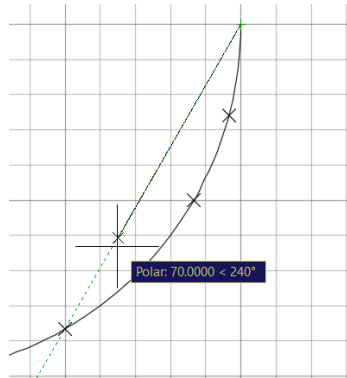


Use **arc** with option **start**, **end**, **direction** for drawing the base of the stem (tangent direction at angle of 30 degrees). Use **polar tracking** if necessary.



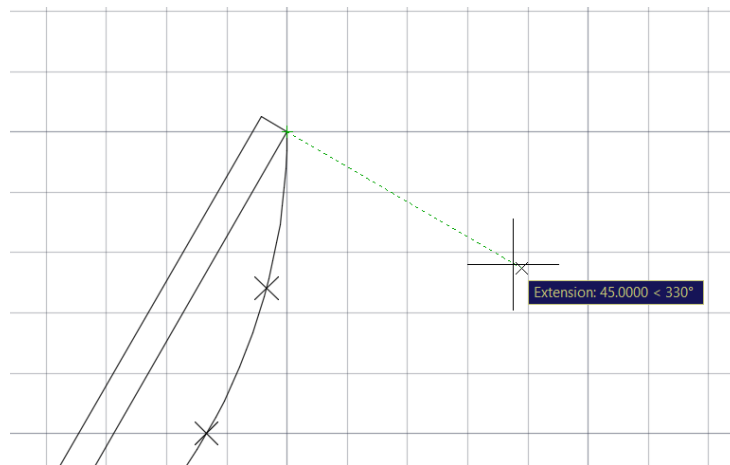
4. Draw a cocktail umbrella.

Draw an umbrella pole at angle of 60 degrees. Use **polar tracking** (with polar angle measurement **relative to last segment**). Start at the edge of the bowl.

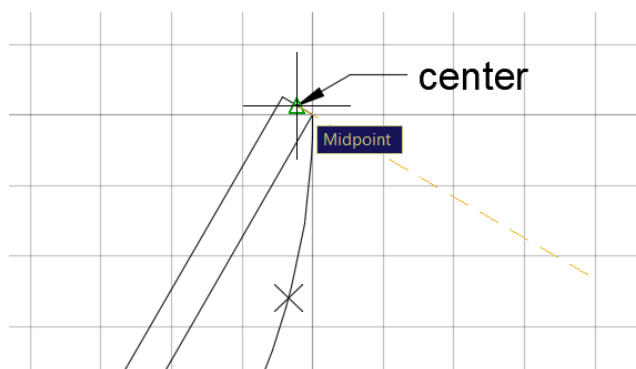


Draw a canopy: use **arc** with option **start** (at 45 from the top right corner of the umbrella pole, perpendicular to the longer edge of the pole), **center** (midpoint of the top edge of the pole), **end** (on the extension of the line connecting start point of the arc and the top of the pole). Extension and midpoint **object snap** modes may be useful.

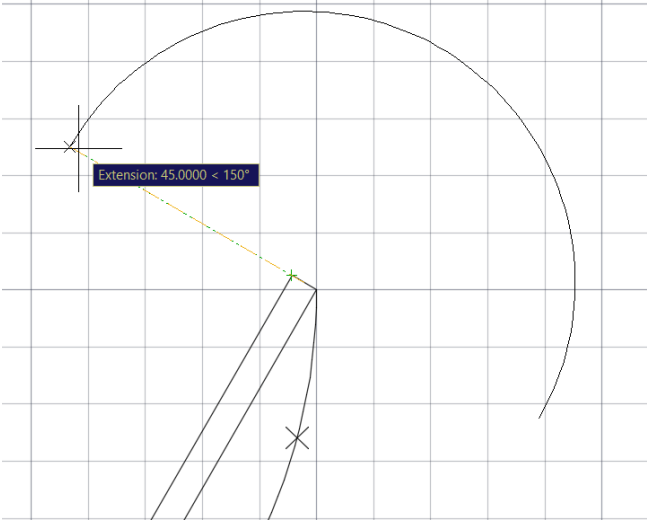
start point:



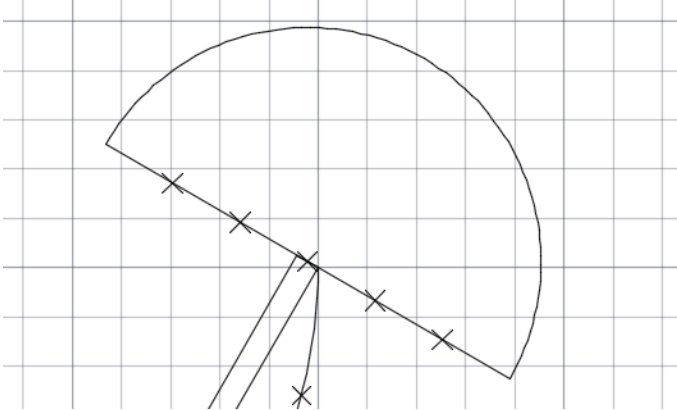
center point:



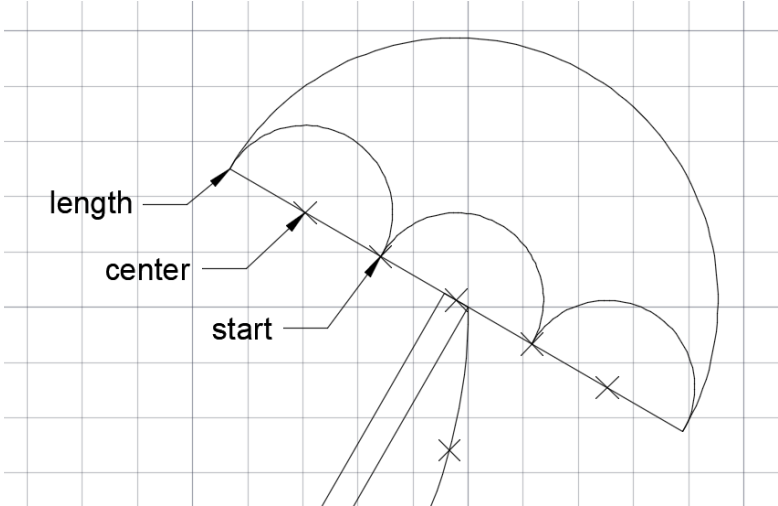
end point:



Draw a line connecting both ends of the canopy (end points of the arc). **Divide** it into 6 equal parts.



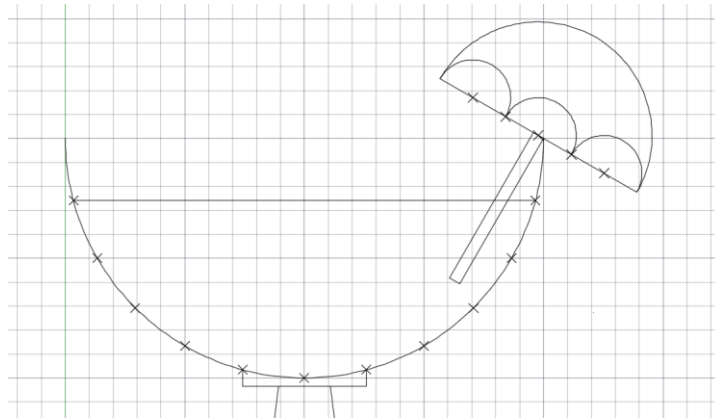
Draw three small cut-outs in the canopy: use **arc** with option **start, center, length** (length of chord of the arc) and the points obtained after dividing the line.



Attention

Usually there is more than one way to draw objects. For instance, such cocktail umbrella can be drawn in a vertical position and after then rotated (use **rotate** with a proper angle of rotation).

5. Fill the glass with a drink – draw a line connecting first and last points resulting from **divide** command (see 1).



Final drawing

